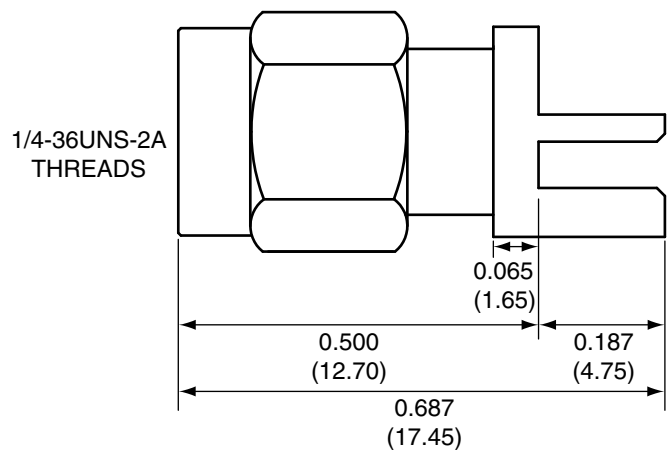
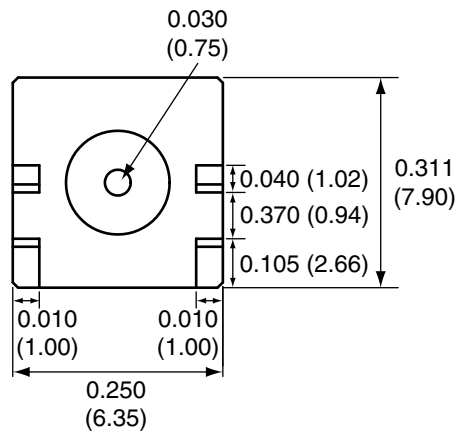


1		
Description	Material	Finish
Body	Brass	Nickel
Pin	BE CU	Gold
Insulation	Teflon	Teflon
Washer	PH Bronze	Gold
Gasket	SI Rubber	Rubber

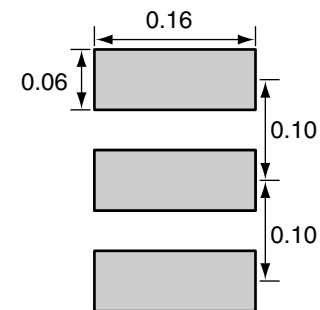
SIDE VIEW



BACK VIEW



RECOMMENDED FOOTPRINT



Title SMA MALE EDGE MOUNT FOR 0.031" THICK BOARD		CONNECTION CITY 159 ORT LANE MERLIN, OR 97532 PH (541)-471-6256 FAX (541)-471-6251	
Part No.	CON SMA013.031	Revision:	1.0
Dimensions:	INCHES (mm)	Date:	5/29/2007
		Sheet 1 of 1	

**CONNECTOR CITY**  
THE VALUE OF CONNECTIONS